

**ÜBERSICHTSZEICHNUNG
ASSEMBLY DRAWING**

LAPIERRE



OVERVOLT HT 5.5 (MY23)

E-EXPLORER 6.5 / 5.5 (MY23)



OVERVOLT HT 5.5 & E-EXPLORER 6.5 / 5.5 (MY23)

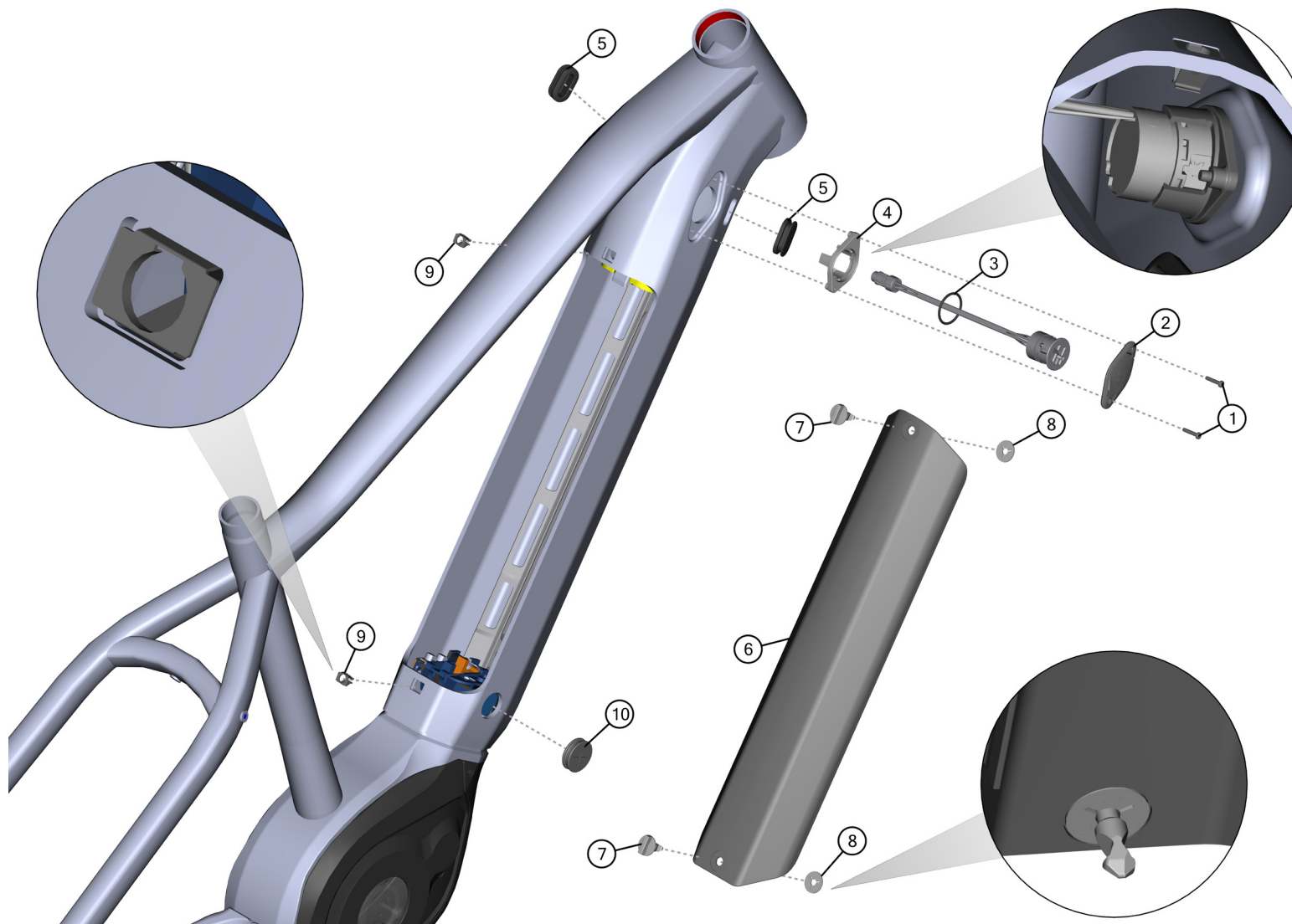
date: 29-03-2023

version: 01

ÜBERSICHTSZEICHNUNG


ASSEMBLY DRAWING main frame

LAPIERRE



Hinweis: Bei den Schrauben muss mittelfeste Gewindesicherung verwendet werden. Rote Flächen müssen gefettet werden.

Note: use medium strength screw lock for screw threads. red surfaces has to be greased.

 medium strength screwlock



OVERVOLT HT 5.5 & E-EXPLORER 6.5 / 5.5 (MY23)
date: 29-03-2023
version: 01

ÜBERSICHTSZEICHNUNG

ASSEMBLY DRAWING main frame

LAPIERRE

BOM-ID	Description	Specification	Torque	Item no.	QTY
1	Lens head screw	TX10 - M3 x 16 mm	1 Nm	FRSC0071 / 09103029	2
2	Charge port cover			COV0016 / 53100913	1
3	O-ring charge port			ELOT0007 / 02009052	1
4	Charge port frame			FROT0212 / 53100999	1
5	Cable Routing Rubber			FROT0054 / W4094131	2
6	Battery cover			FROT0055 / W4094132	1
7	Locking pin with handle			FROT0048 / 57300425	2
8	Holderplate			FROT0047 / 57300424	2
9	Clip			FROT0046 / 57300423	2
10	Rubber ring			FROT0050 / W4094127	1



OVERVOLT HT 5.5 & E-EXPLORER 6.5 / 5.5 (MY23)

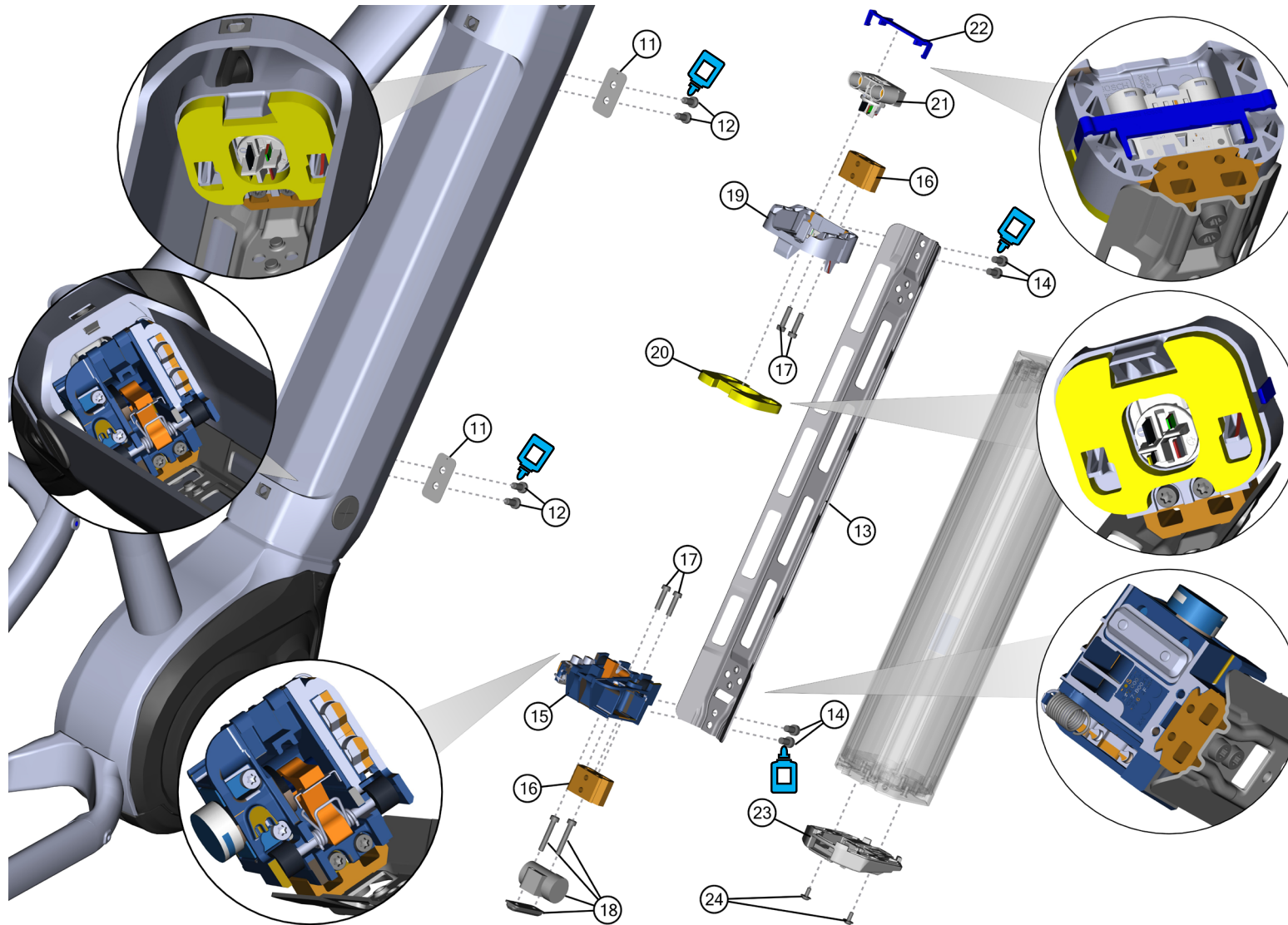
date: 29-03-2023

version: 01

ÜBERSICHTSZEICHNUNG


ASSEMBLY DRAWING battery mount

LAPIERRE



Hinweis: Bei den Schrauben muss mittelfeste Gewindesicherung verwendet werden. Rote Flächen müssen gefettet werden.

Note: use medium strength screw lock for screw threads. red surfaces has to be greased.

 medium strength screwlock



OVERVOLT HT 5.5 & E-EXPLORER 6.5 / 5.5 (MY23)

date: 29-03-2023

version: 01

ÜBERSICHTSZEICHNUNG

ASSEMBLY DRAWING battery mount

LAPIERRE

BOM-ID	Description	Specification	Torque	Item no.	QTY
11	Plate for fixing			FROT0240	2
12	Hexagon socket screw (flat head)	IS3 - M 5 x 10 mm	5 Nm	FRSC0146 / 09103066	4
13	Guide rail			02006274	1
14	Screws for guide rail	TX25 - M5 x 9 mm	5 Nm	FRSC0122 / 02006252	4
15	Locking assembly			LO0006 / 02006238	1
16	Framebase			02006275	2
17	Screw for framebase	T20 - M4 x 16 mm	3 Nm	FRSC0121 / 02006251	4
18	Battery lock			94092058	1
19	Cradle			ELOT0003 / 02006239	1
20	Damper foil			ELOT0005 / 02006240	1
21	Battery adapter			ELOT0006 / 02006242	1
22	Clamp ring			ELOT0008 / 02006245	1
23	Screw-on plate			02006260	1
24	Screw f. screw-on plate	M3 x 7 mm	1 Nm	FRSC0123 / 02006237	2



OVERVOLT HT 5.5 & E-EXPLORER 6.5 / 5.5 (MY23)

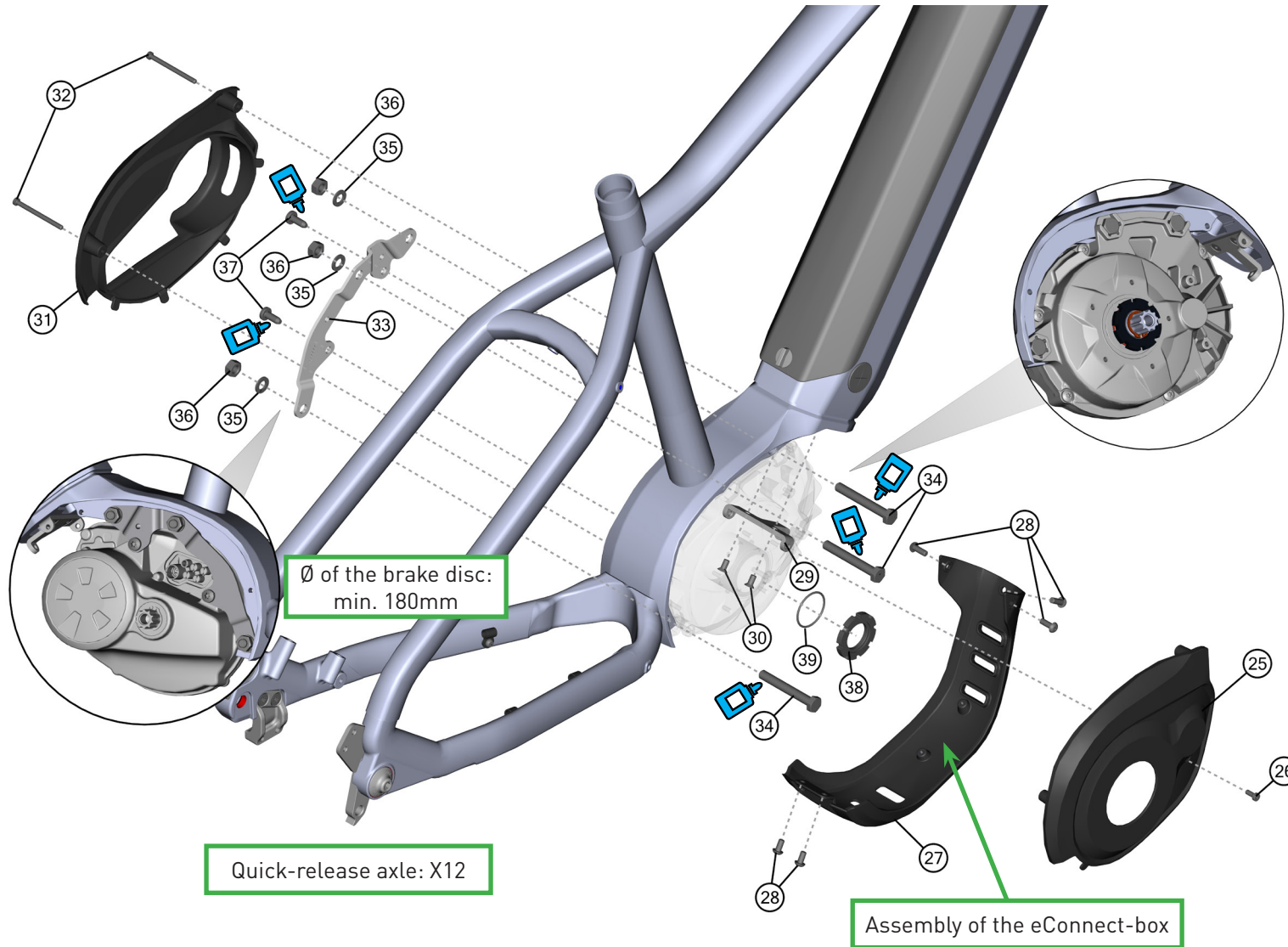
date: 29-03-2023

version: 01

ÜBERSICHTSZEICHNUNG

ASSEMBLY DRAWING drive mount

LAPIERRE



Hinweis: Bei den Schrauben muss mittelfeste Gewindesicherung verwendet werden. Rote Flächen müssen gefettet werden.

Note: use medium strength screw lock for screw threads. red surfaces has to be greased.



➤ medium strength screwlock



OVERVOLT HT 5.5 & E-EXPLORER 6.5 / 5.5 (MY23)

date: 29-03-2023

version: 01

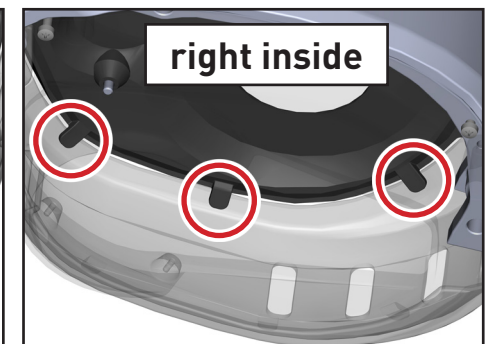
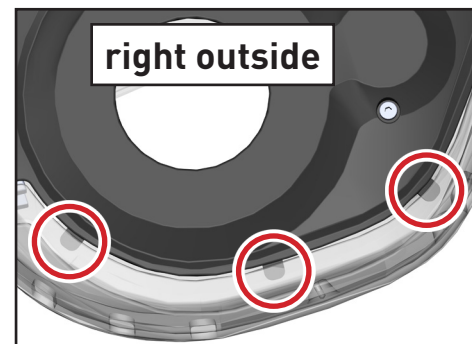
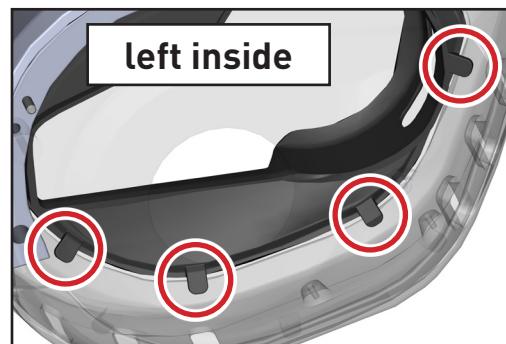
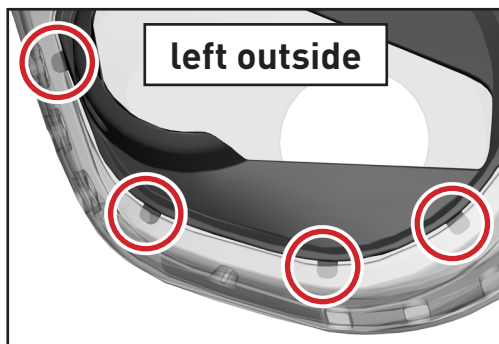
ÜBERSICHTSZEICHNUNG

ASSEMBLY DRAWING drive mount

LAPIERRE

BOM-ID	Description	Specification	Torque	Item no.	QTY
25	Motor cover right side			FROT0091 / 10010526	1
26	Screw (thread forming tap)	TX20 - M4 x 12 mm	3 Nm	FRSC0073 / 09105147	1
27	Motor cover low			FROT0093 / 10010527	1
28	Lens head screw	IS3 - M5 x 8 mm	6 Nm	SM1188 / 09105106	5
29	Cover mount lower side			FROT0094 / 10010528	1
30	Counter sunk screw	IS3 - M5 x 10 mm	6 Nm	FRSC0068 / 09103043	2
31	Motor cover left side			FROT0092 / 10010525	1
32	Screw (thread forming tap)	M4 x 53,5 mm	3 Nm	FRSC0069 / 02006136	2
33	Mounting Plate			02006257	1
34	Screw	M8 x 60	28 - 30 Nm	FRSC0095 / 02006112	3
35	Washer			FRWS0040 / 02006115	3
36	Nut	M8		FRNT0010 / 02006113	3
37	Screw	M6 x 16	9 - 11 Nm	FRSC0096 / 02006114	2
38	Lockring for BDU3XX			FROT0178 / 02006194	1
39	O-Ring			FROT0179 / 02006195	1

➤ The noses of the Motor cover right side (FROT0091) and Motor cover left side (FROT0092) must be hung low on the inside of the Motor cover low (FROT0093)!



OVERVOLT HT 5.5 & E-EXPLORER 6.5 / 5.5 (MY23)

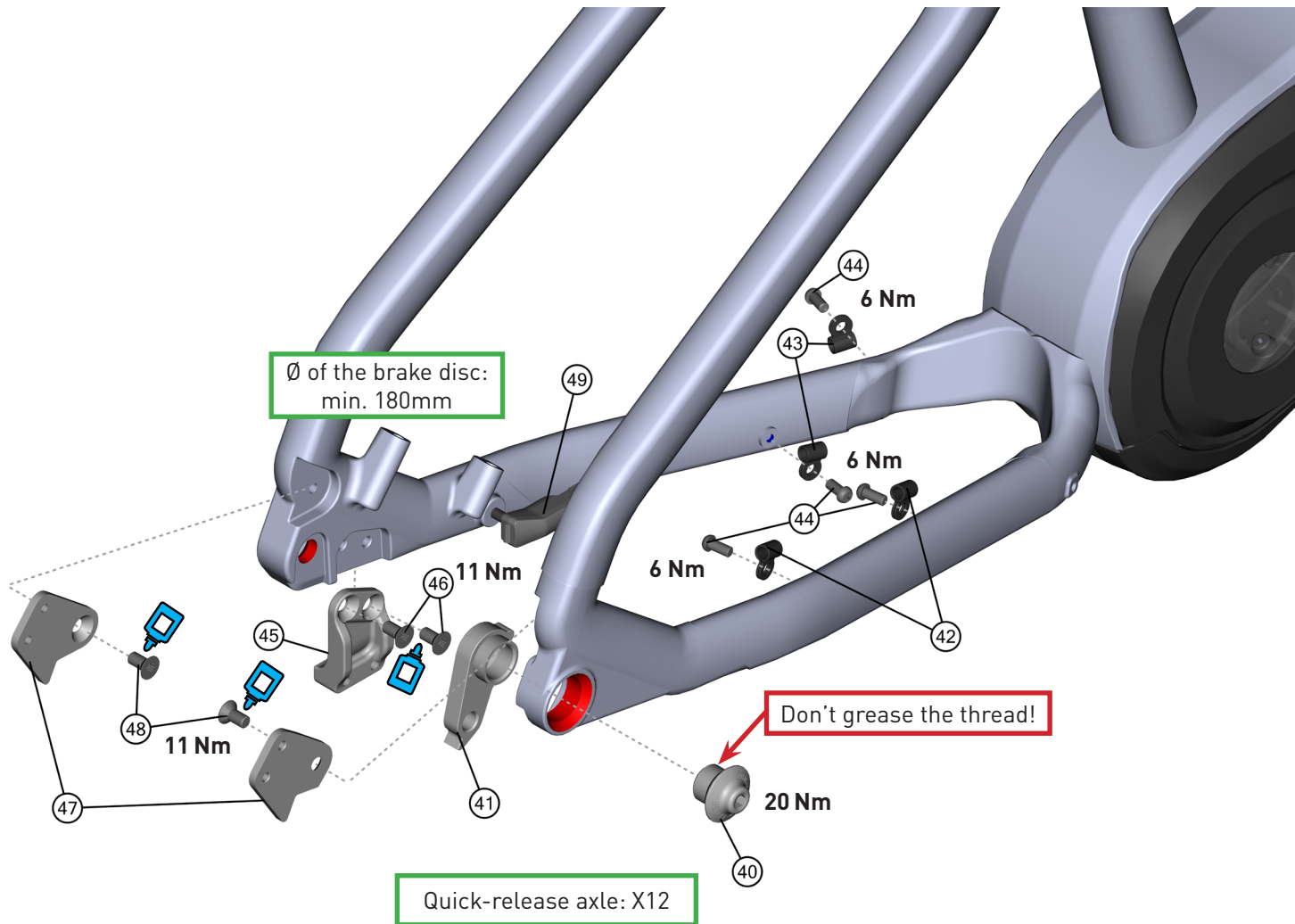
date: 29-03-2023

version: 01

ÜBERSICHTSZEICHNUNG


ASSEMBLY DRAWING rear frame

LAPIERRE



Hinweis: Bei den Schrauben muss mittelfeste Gewindesicherung verwendet werden. Rote Flächen müssen gefettet werden.

Note: use medium strength screw lock for screw threads. red surfaces has to be greased.

 medium strength screwlock



OVERVOLT HT 5.5 & E-EXPLORER 6.5 / 5.5 (MY23)
date: 29-03-2023
version: 01

ÜBERSICHTSZEICHNUNG

ASSEMBLY DRAWING rear frame

LAPIERRE

BOM-ID	Description	Specification	Torque	Item no.	QTY
40	Hanger nut		20 Nm	FRNT0008 / 10010531	1
41	Hanger			FRHG0025 / 10010530	1
42	Cable guide for 1 cable			SM0002 / W4094110	2
43	Cable guide for 2 cable			SM0263 / W1580200	2
44	Lens head screw	TX25 - M5 x 12 mm	6 Nm	SM0919 / 09103281	4
45	Kickstand Adaptor			S M K S 0 0 0 3 / W9600044	1
46	Counter sunk screw	IS4 - M6 x 12 mm	11 Nm	09103018	2
47	connection parts for standard after market carrier and/or fender (set right side + left side) ➤ only for OVERVOLT HT 5.5			SMF0023 / 10010563	1
48	Counter sunk screw for connection parts ➤ only for OVERVOLT HT 5.5	TX30 - M6 x 12 mm	11 Nm	FRSC0064 / 09105115	2
49	Chainstay Adapter for Speedsensor			02009045	1



OVERVOLT HT 5.5 & E-EXPLORER 6.5 / 5.5 (MY23)

date: 29-03-2023

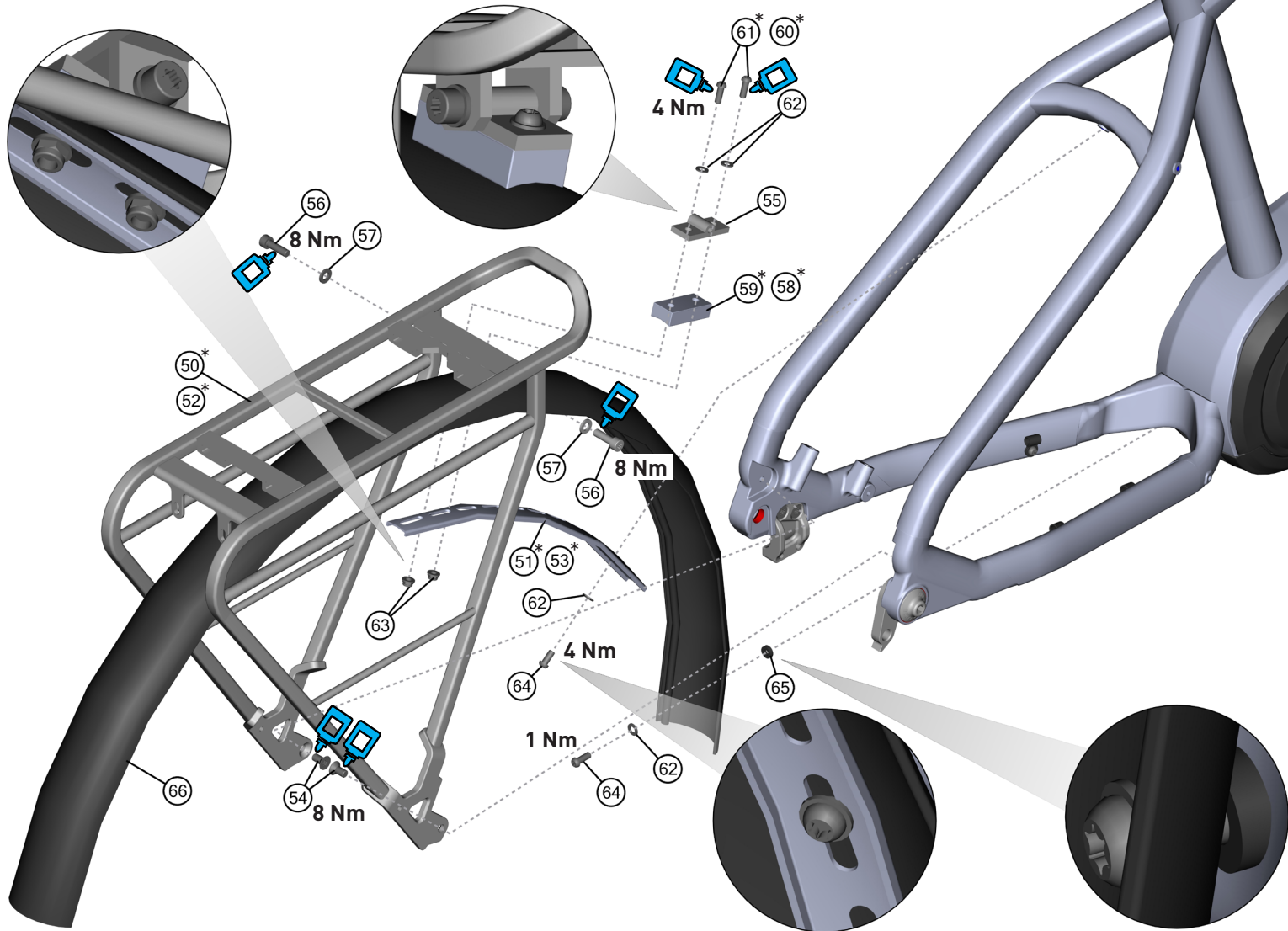
version: 01

ÜBERSICHTSZEICHNUNG

ASSEMBLY DRAWING

E-EXPLORER carrier & fender

LAPIERRE



Hinweis: Bei den Schrauben muss mittelfeste Gewindesicherung verwendet werden. Rote Flächen müssen gefettet werden.

Note: use medium strength screw lock for screw threads. red surfaces has to be greased.



medium strength screwlock



OVERVOLT HT 5.5 & E-EXPLORER 6.5 / 5.5 (MY23)

date: 29-03-2023

version: 01

ÜBERSICHTSZEICHNUNG

ASSEMBLY DRAWING E-EXLORER carrier & fender

LAPIERRE

BOM-ID	Description	Specification	Torque	Item no.	QTY
50*	Carrier (depending which is installed)			CA0017 / 77002140	1
51*	Carrier rail (depending which is installed)			SMF0025 / 77002141	1
52*	Carrier (depending which is installed)			CA0020 / 77002157	1
53*	Carrier rail (depending which is installed)			CA0021 / 77002158	1
54	Counter sunk screw	TX30 - M6 x 14 mm (8.8)	8 Nm	FRSC0135/09105115	2
55	Plate for carrier			SMF0024 / 77002152	1
56	Hexagon socket screw (flat head)	IS4 - M6 x 14 mm (8.8)	8 Nm	SM1693 / 09105185	2
57	Washer	ø 6,4 mm		SM1243 / 00125071	2
58*	Carrier spacer 5mm (depending which is installed)			FROT0228/96090081	1
59*	Carrier spacer 10mm (depending which is installed)			FROT0211/77002151	1
60*	Lens head screw for 5mm carrier spacer (depending which is installed)	IS3 - M5 x 20 mm (10.9)	4 Nm	SM1192 / 09105002	2
61*	Lens head screw for 10mm carrier spacer (depending which is installed)	IS3 - M5 x 25 mm (10.9)	4 Nm	SM1193 / 09105003	2
62	Washer	ø 5,3 mm		SM1242 / 00125400	4
63	Self locking nut with flange	M5		FRSC0112/01587001	2
64	Lens head screw	TX25 - M5 x 14 mm (8.8)	1 & 4 Nm see drawing	FRSC0065	2
65	Plastic spacer	ø 5,2 x 10 x 3 mm		SM1142 / W9350000	1
66	Rear fender			FER0028 / 11011313	1



OVERVOLT HT 5.5 & E-EXPLORER 6.5 / 5.5 (MY23)

date: 29-03-2023

version: 01

ÜBERSICHTSZEICHNUNG

ASSEMBLY DRAWING

LAPIERRE

FACT SHEET:	
SHOCK LENGTH:	-----
SHOCK HARDWARE TOP:	-----
SHOCK HARDWARE BOTTOM:	-----
HEADSET TOP:	ZS 44
HEADSET BOTTOM:	ZS 56
SEATPOST DIAMETER:	31,6 MM
CLAMP INNER DIAMETER:	34,9 MM
BOTTOM BRACKET:	-----
KICKSTAND:	KSA18 (Adapter required)
ISCG STANDARD:	-----
CARRIER MOUNT:	YES (Adapter required)
FENDER COMPATIBLE:	YES

DROPPER SEATPOST READY:	NO
WATTERBOTTLE MOUNT:	1 x 0,75 L
MAXIMUM PERMISSIBLE TOTAL WEIGHT:	150 KG
MAXIMUM TIRE SIZE:	27,5"/29" x 2,60"
WHEEL SIZE:	HT 5.5 High: 29" HT 5.5 Mid Size S: 27,5" HT 5.5 Mid Size M / L: 29" E-Explorer: 27,5"
QUICK RELEASE LENGTH:	169 MM
OVER-LOCKNUT DIMENSION (O.L.D.):	148 MM
FD CLAMP SIZE:	-----
FD TYPE:	-----
ENGINE:	BOSCH PERFORMANCE LINE CX (Smart System)
BATTERY:	BOSCH POWERTUBE 500 WH
DISPLAY:	BOSCH LED REMOTE



OVERVOLT HT 5.5 & E-EXPLORER 6.5 / 5.5 (MY23)

date: 29-03-2023

version: 01